

iQ parts
IQ-PARTS-SHOP.COM



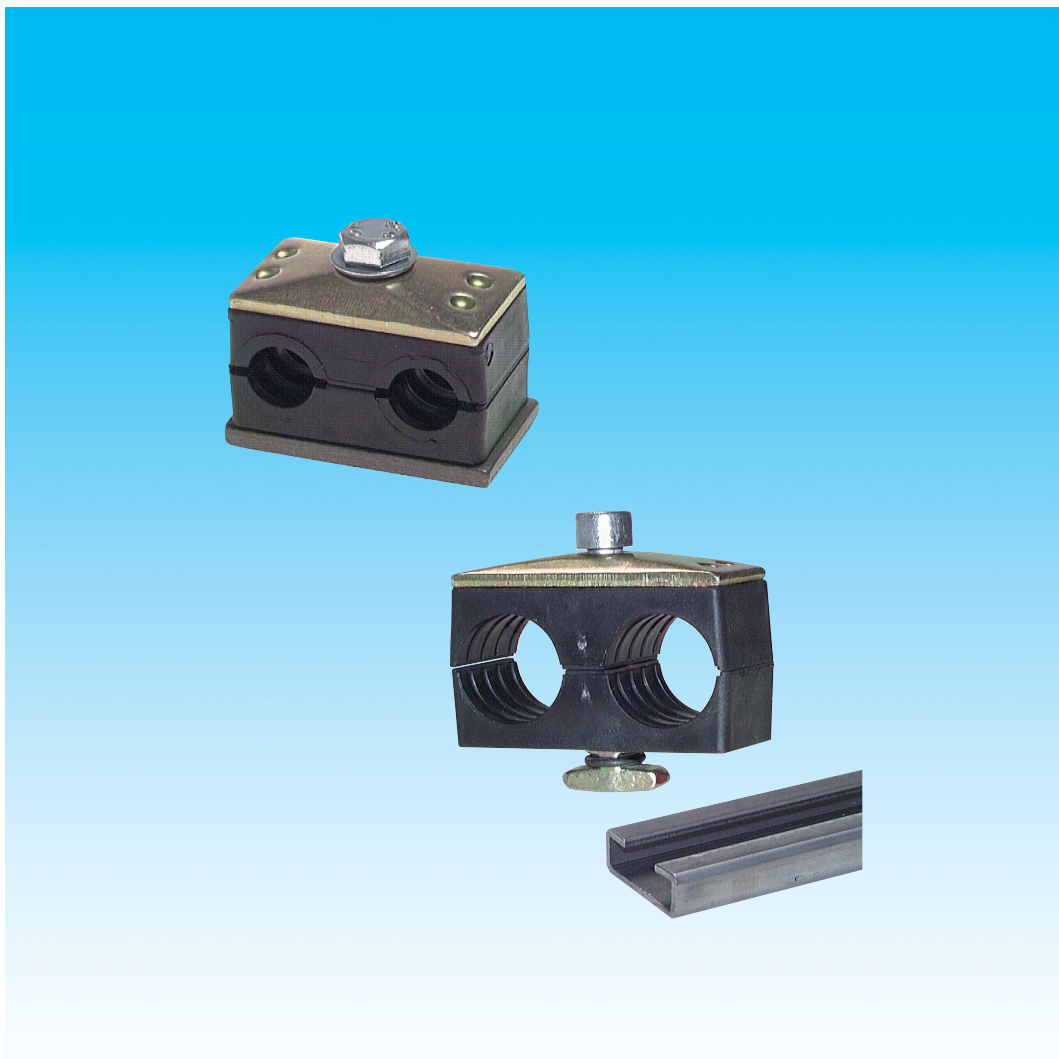
**SPECS &
INFORMATION**

DIN 3015 T3

Dubbele Buisklem

Doppel Rohrschelle

Double Pipeclamp



DIN 3015 T3

Typ 2	Typ 4	OD/AD ø Buis/Rohr/Pipe	Typ 2	Typ 4	OD/AD ø Buis/Rohr/Pipe
Grootte / Größe / Size			Grootte / Größe / Size		
GR 16 DO	GR 16 DOTM	6	GR 4269 DO	GR 4269 DOTM	26,9 (3/4")
GR 18 DO	GR 18 DOTM	8	GR 428 DO	GR 428 DOTM	28
GR 110 DO	GR 110 DOTM	10 (1/8")	GR 430 DO	GR 430 DOTM	30
GR 112 DO	GR 112 DOTM	12	Grootte / Größe / Size		
Grootte / Größe / Size			GR 5337 DO	GR 5337 DOTM	33,7 (1")
GR 2137 DO	GR 2137 DOTM	13,7 (1/4")	GR 535 DO	GR 535 DOTM	35
GR 214 DO	GR 214 DOTM	14	GR 538 DO	GR 538 DOTM	38
GR 215 DO	GR 215 DOTM	15	GR 540 DO	GR 540 DOTM	40
GR 216 DO	GR 216 DOTM	16	GR 542 DO	GR 542 DOTM	42 (1 1/4")
GR 2171 DO	GR 2171 DOTM	17,1 (3/8")			
GR 218 DO	GR 218 DOTM	18			
Grootte / Größe / Size					
GR 320 DO	GR 320 DOTM	20			
GR 3213 DO	GR 3213 DOTM	21,3 (1/2")			
GR 322 DO	GR 322 DOTM	22			
GR 325 DO	GR 325 DOTM	25			



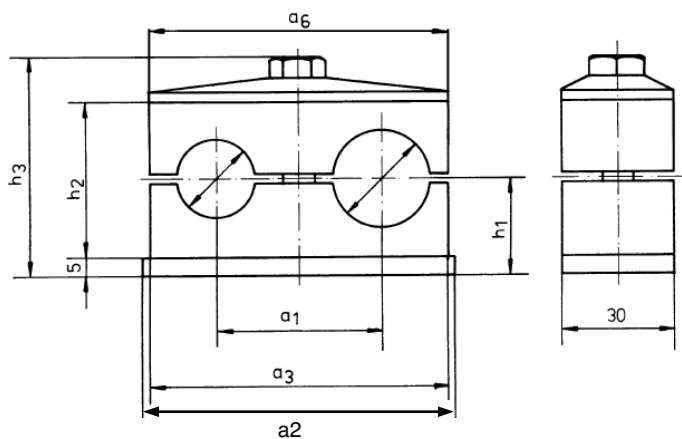
Typ 2



Typ 4

DIN 3015 T3

Grootte / Größe / Size (DIN 3015 T3)	a1	a2	a3	a6	h1	h2	h3
1	20	37	36	34	18,5	27	43,0
2	29	55	53	51	18,0	26	43,5
3	36	70	67	64	23,5	37	54,5
4	45	85	82	78	26,0	42	59,5
5	56	110	106	102	32,0	54	71,5





info@iq-parts.nl
Harsweg 34A
2461 EZ Ter Aar
T +31 252 624 126
The Netherlands